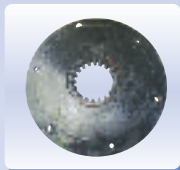
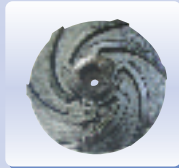
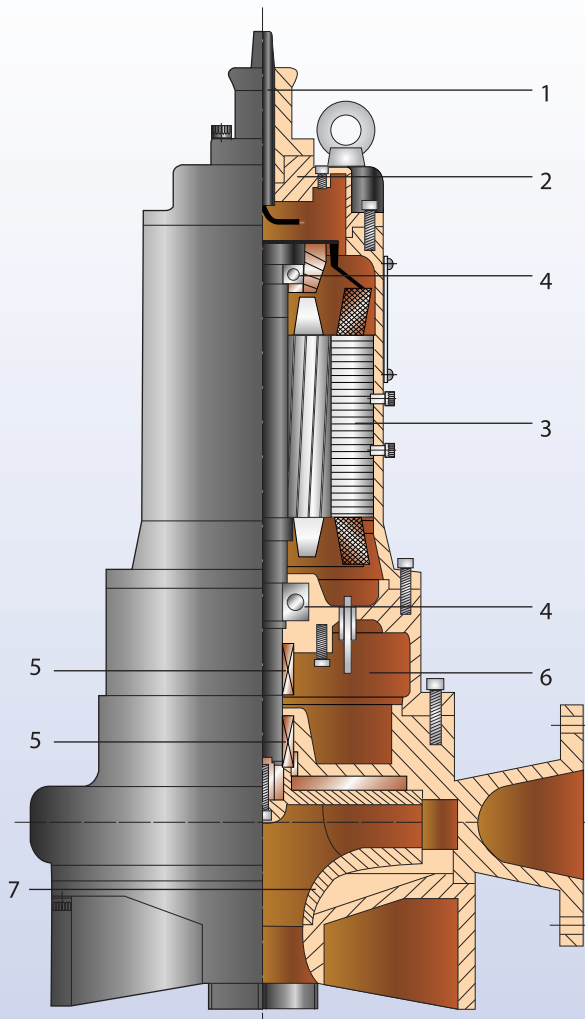




SUBMERSIBLE SEWAGE PUMPS

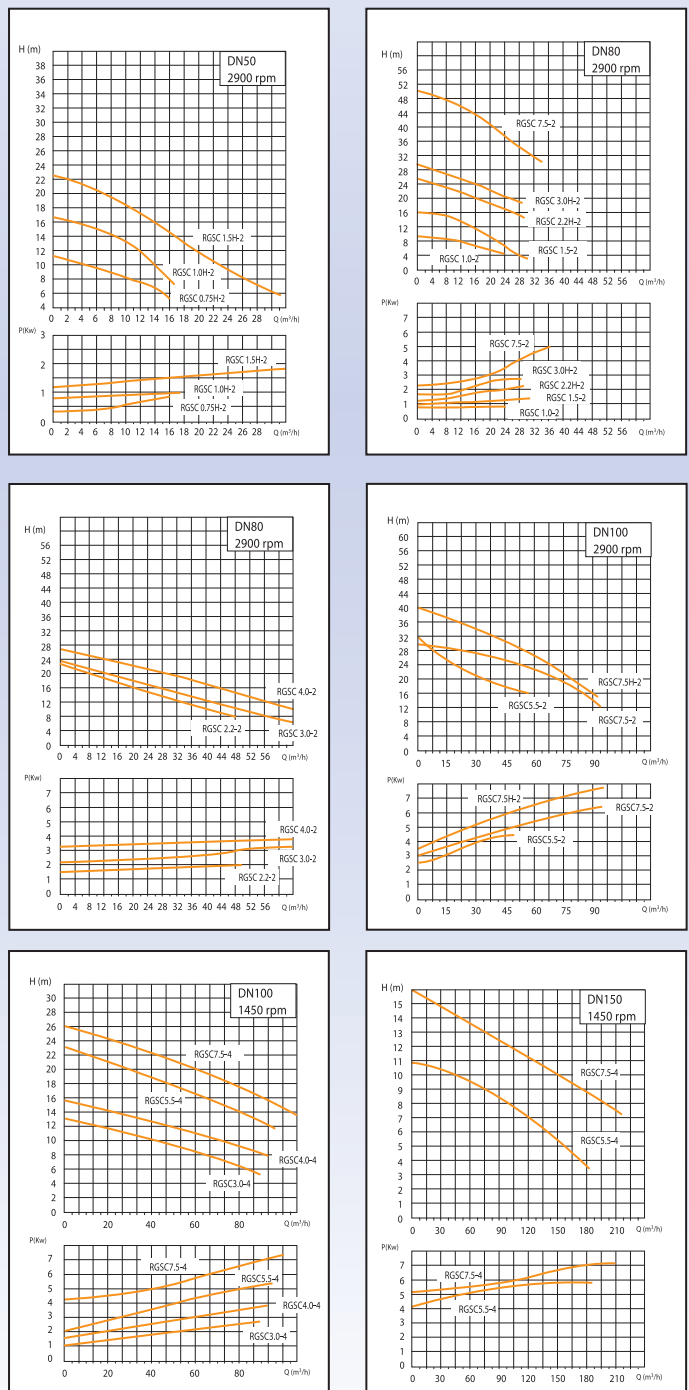


SPECIFICATIONS

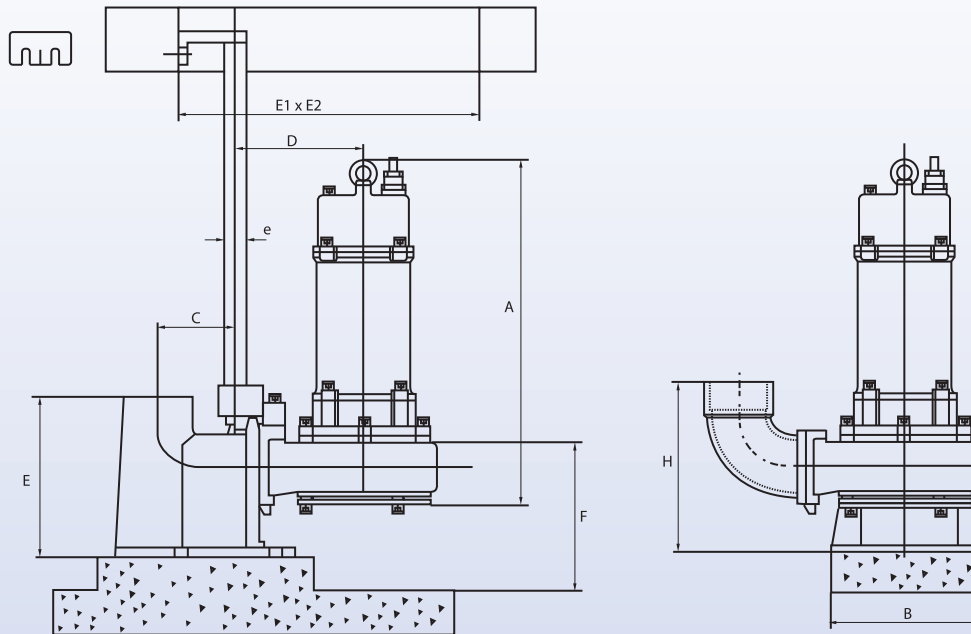
| | | |
|--------------------------|-----------------|--|
| Discharge Diameter | | 32 - 150mm |
| Pumped Fluid | Temperature | 0 to 40 °C |
| | pH | 5 to 9 |
| | Medium | Waste water, sewage, industrial waste. |
| | Maximum depth | 10m |
| Solid content | | < 10% (by weight) |
| Material of Construction | Casing | Cast iron |
| | Impeller | Cast iron / Stainless Steel |
| | Rotor shaft | Stainless Steel |
| | Fasteners | Stainless Steel |
| | Mechanical Seal | Silicon carbide / Tungsten carbide |

1. Water-tight cable joint with cable sleeve and strain relief.
2. Built-in terminal box with an integrated circuit for connection to float switch, thermal overload protection, humidity sensor for seal leakage etc.
3. Motor - IP68, class F (155 °C), thermal sensors embedded in stator windings.
4. Bearings - quality bearings to ensure long term operation.
5. Mechanical Seal - strong, abrasion resistant double mechanical seal with super hard faces silicon carbide combinations. Smaller pumps are supplied with mechanical seal/ lip seal.
6. Oil chamber - filled with oil for lubrication and cooling. Humidity sensor may be installed to detect seal leakage.
7. RGSC series with open / semi-open impeller and a hardened cutting edge to enable cutting of fibrous materials, weeds, solids to prevent clogging. RGSK series are equipped with grinder to cut the sewage before entering the impeller.

PERFORMANCE CURVE (RGSC SERIES)



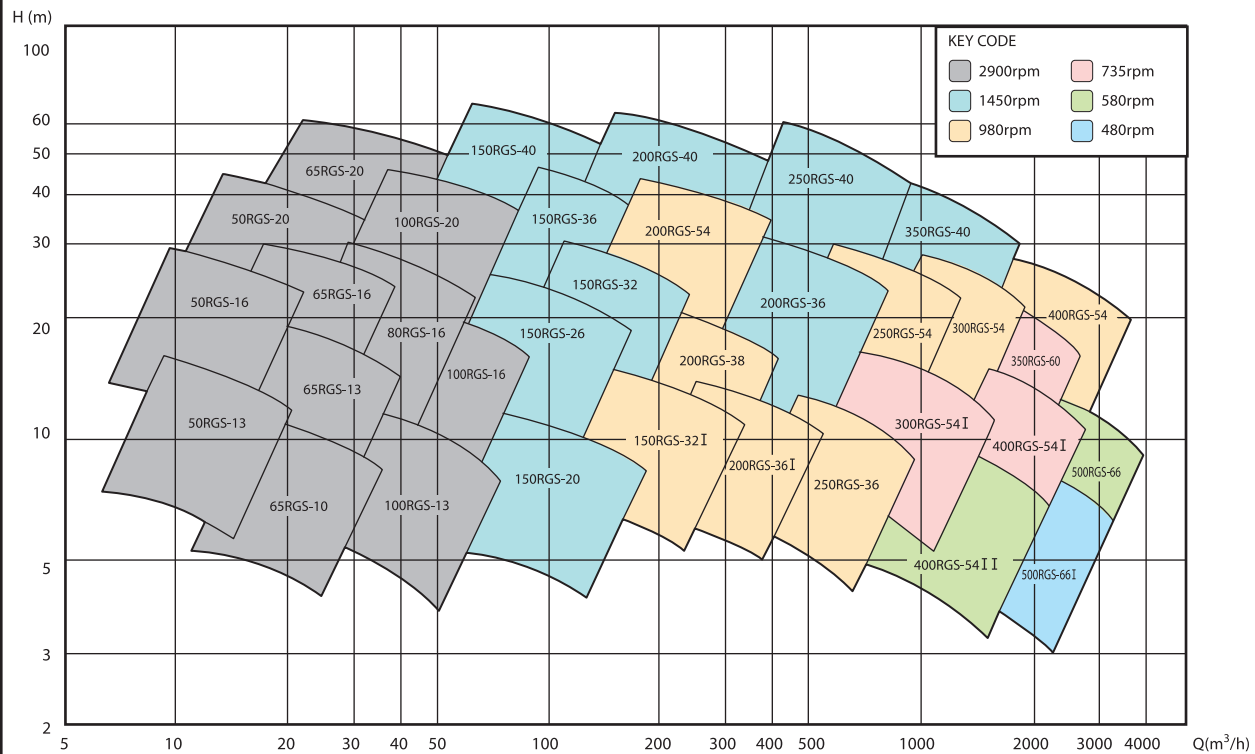
INSTALLATION DIMENSIONS (mm)



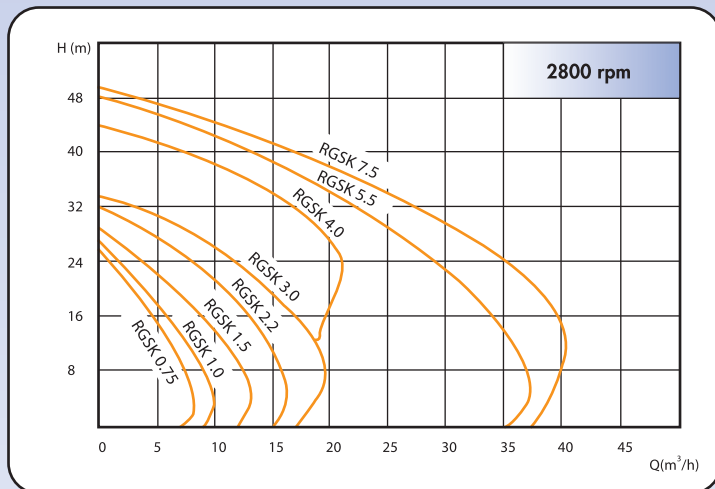
| MODEL | A | B | C | D | E | H | F | e | E1 x E2 (min) | Free Solid Passage | Weight (kg) |
|---------------|-----|-----|-----|-----|-----|-----|-----|------|---------------|--------------------|-------------|
| 50RGSC0.75H-2 | 515 | 195 | 75 | 170 | 175 | 175 | 185 | 3/4" | 500 x 500 | 25 | 33 |
| 50RGSC1.0H-2 | 550 | 220 | 75 | 170 | 175 | 200 | 185 | 3/4" | 500 x 500 | 25 | 33 |
| 50RGSC1.5H-2 | 585 | 220 | 75 | 170 | 175 | 200 | 185 | 3/4" | 500 x 500 | 25 | 35 |
| 80RGSC1.0 | 550 | 240 | 120 | 205 | 240 | 200 | 200 | 1" | 500 x 500 | 30 | 33 |
| 80RGSC1.5 | 585 | 240 | 120 | 205 | 240 | 235 | 200 | 1" | 500 x 500 | 30 | 35 |
| 80RGSC2.2 | 615 | 240 | 120 | 205 | 240 | 250 | 200 | 1" | 500 x 500 | 40 | 45 |
| 80RGSC3.0 | 615 | 240 | 120 | 205 | 240 | 250 | 200 | 1" | 500 x 500 | 40 | 45 |
| 80RGSC4.0 | 695 | 240 | 120 | 205 | 240 | 285 | 200 | 1" | 500 x 500 | 40 | 65 |
| 100RGSC5.5-4 | 915 | 450 | 238 | 326 | 385 | 526 | 450 | 2" | 500 x 700 | 50 | 200 |
| 100RGSC7.5-4 | 915 | 450 | 238 | 326 | 385 | 526 | 450 | 2" | 500 x 700 | 50 | 200 |
| 100RGSC5.5 | 915 | 450 | 238 | 326 | 385 | 526 | 450 | 2" | 500 x 700 | 50 | 165 |
| 100RGSC7.5 | 915 | 450 | 238 | 326 | 385 | 526 | 450 | 2" | 500 x 700 | 50 | 185 |
| 150RGSC5.5-4 | 970 | 450 | 310 | 450 | 435 | 572 | 335 | 2" | 500 x 700 | 70 | 180 |
| 150RGSC7.5-4 | 970 | 450 | 310 | 450 | 435 | 572 | 335 | 2" | 500 x 700 | 70 | 200 |
| 50RGSK0.75 | 515 | 185 | 84 | 170 | 175 | | 185 | 3/4" | 500 x 500 | 25 | 30 |
| 50RGSK1.0 | 515 | 185 | 84 | 170 | 175 | | 185 | 3/4" | 500 x 500 | 25 | 32 |
| 50RGSK1.5 | 515 | 185 | 84 | 170 | 175 | | 185 | 3/4" | 500 x 500 | 25 | 33 |
| 50RGSK2.2 | 850 | 250 | 85 | 355 | 248 | | 185 | 3/4" | 500 x 500 | 30 | 52 |
| 50RGSK3.0 | 850 | 250 | 85 | 355 | 248 | | 185 | 3/4" | 500 x 500 | 30 | 52 |
| 50RGSK4.0 | 850 | 250 | 85 | 355 | 248 | | 185 | 3/4" | 500 x 500 | 30 | 75 |
| 80RGSK5.5 | 850 | 450 | 105 | 370 | 300 | | 200 | 1" | 500 x 500 | 40 | 150 |
| 80RGSK7.5 | 850 | 450 | 105 | 370 | 300 | | 200 | 1" | 500 x 500 | 40 | 160 |

All the pumps can be installed in fixed wet installation with duck foot pedestal or free standing. The guide rail fitting system is recommended for all fixed position pumping stations. The pump slides down the duck foot pedestal along the guide rail and automatically positioned. It is convenient to carry out routine maintenance and servicing without having to go into the sump.

RGS SERIES



RGSK SERIES



CONSTRUCTION

RGS series submersible pumps are constructed of rugged cast iron for sewage and waste water applications. Designed with non-clog semi-open / open impeller with large free solid passage. Models with hardened steel cutter or grinder are also suitable for waste water and sewage containing solids and fibrous materials.

APPLICATIONS

- Drainage of sewage from industry, factories, septic tanks and stock farm.
- Drainage of waste water from basement, hotels, underground garages.
- Pumping sewage and effluent from schools, hospitals, municipals, restaurants, flood control, construction sites etc.

For enquiries, please contact :