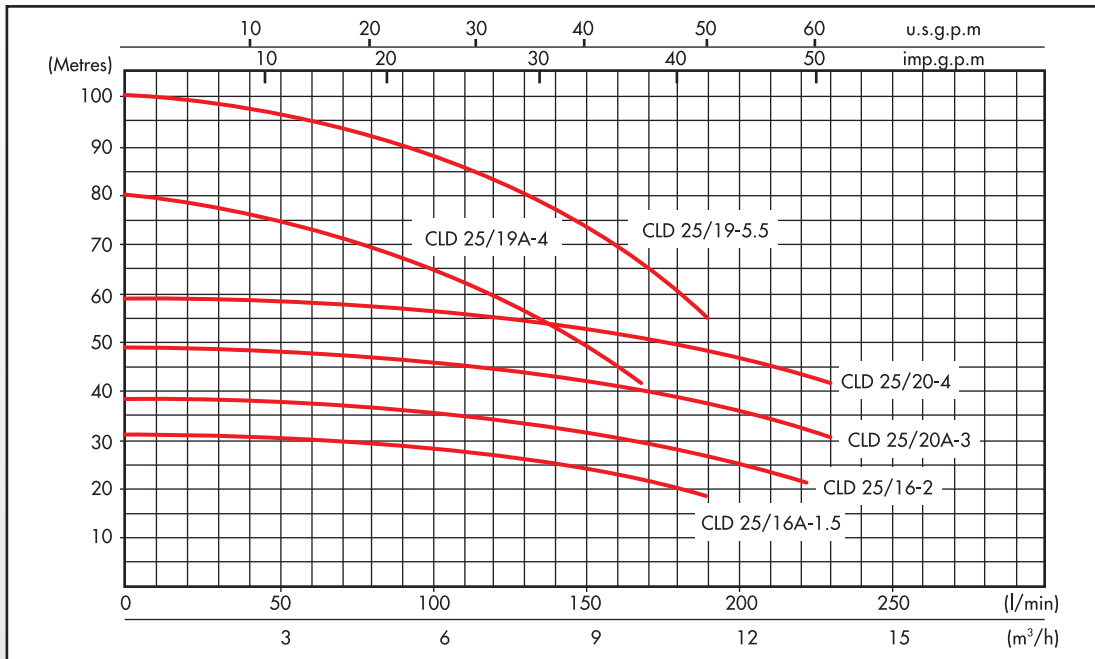


APPLICATIONS

- For hose reel fire fighting applications
- For civil and industrial applications
- For water supply
- For heating, air-conditioning, cooling and circulation plants
- For irrigation & sprinkler
- For clean /non-abrasive liquids

CLD SERIES CLOSE - COUPLED CENTRIFUGAL PUMP

PERFORMANCE CURVE (2900 rpm)



TECHNICAL FEATURES

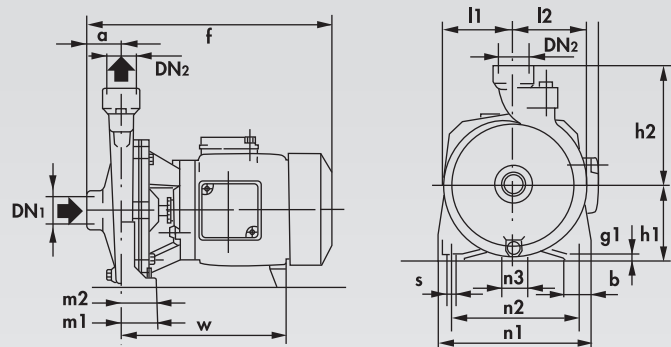
- ▣ Pump Body Cast Iron G 25
- ▣ Motor Bracket Cast Iron G 25
- ▣ Impeller Bronze
- ▣ Motor Shaft Stainless Steel
- ▣ Mechanical Seal Carbon-Ceramics

OPERATING CONDITIONS

- ▣ Liquid temperature -10°C to 90°C
- ▣ Room temperature up to 40°C
- ▣ Total suction lift up to 7m
- ▣ Maximum permissible working pressure up to 10 bar (16 bar for pump CLD 25-19)
- ▣ Continuous duty
- ▣ Max Liquid viscosity : 5°E

MOTOR

- ▣ 2 - pole induction motor, 50 Hz. n=2900 rpm
- ▣ IP54 Class F insulation
- ▣ 3 phase 400/415 V
- ▣ Different Voltages and Frequencies upon request



Model	DN ₁	DN ₂	a	f	h ₁	h ₂	m ₁	m ₂	n ₁	n ₂	n ₃	b	s	l ₁	l ₂	w	g ₁	KG	HP
CLD 25/16A-1.5	G 1 1/2"	G 1"	60	405	100	160	75	55	195	150	40	43	10	100	105	255	10	19	1.5
CLD 25/16-2	G 1 1/2"	G 1"	60	405	100	160	75	55	195	150	40	43	10	100	105	255	10	25	2
CLD 25/20A-3	G 1 1/2"	G 1"	62	445	125	180	90	65	250	200	40	47	10.5	125	125	285	14	30	3
CLD 25/20-4	G 1 1/2"	G 1"	62	475	125	180	90	65	250	200	40	47	10.5	125	125	315	14	40	4
CLD 25/19A-4	G 1 1/2"	G 1"	98	520	140	180	100	70	240	190	40	50	14	134	134	340	15	44	4
CLD 25/19-5.5	G 1 1/2"	G 1"	98	565	140	180	100	70	240	190	40	50	14	134	134	360	15	50	5.5

For enquiries, please contact :